

# 1. Gates

## 1.1 Safety IV Headlocks



headlock connecting bar

### Safety IV Headlock size options

SQ0110	1 space, 1 metre
SQ0216	2 spaces, 1.6 metres
SQ0320	3 spaces, 2 metres
SQ0426	4 spaces, 2.6 metres
SQ0430	4 spaces, 3 metres
SQ0538	5 spaces, 3.2 metres
SQ0534	5 spaces, 3.4 metres
SQ0538	5 spaces, 3.8 metres
SQ0540	5 spaces, 4 metres
SQ0638	5 spaces, 3.8 metres
SQ0640	6 spaces, 4 metres
SQ0644	6 spaces, 4.4 metres
SQ0650	6 spaces, 5 metres
SQ0746	7 spaces, 4.5 metres
SQ0748	7 spaces, 4.8 metres
SQ0750	7 spaces, 5 metres
SQ0850	8 spaces, 5 metres
SQ0854	8 spaces, 5.4 metres
SQ0860	8 spaces, 6 metres
SQ0960	9 spaces, 6 metres
SQ1060	10 spaces, 6 metres

*\*All above given sizes are centre to centre on 102mm posts.*

### Safety IV Headlocks

- link up to 6 panels together
- heifer/calf guards to close small dangerous spaces
- headlock has anti-choke system to release a fallen animal
- adjustable end pieces for ease of installation
- pendulum bar is bushed at pivot point for increased longevity
- adjustable collar width
- hot dipped galvanised (ISO 9002 Certified)
- release animals one by one or release all together

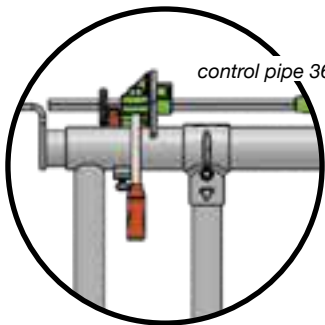


**It is mandatory to support 4-6 metre panels in the centre**



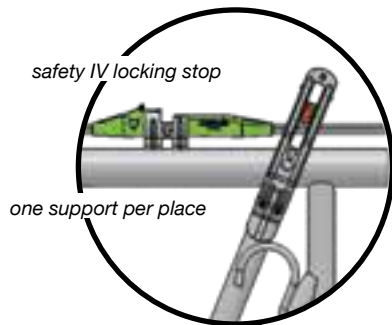
## Safety IV Headlocks

removable handle



control pipe 36mm

individual central locking

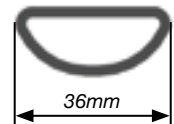


safety IV locking stop

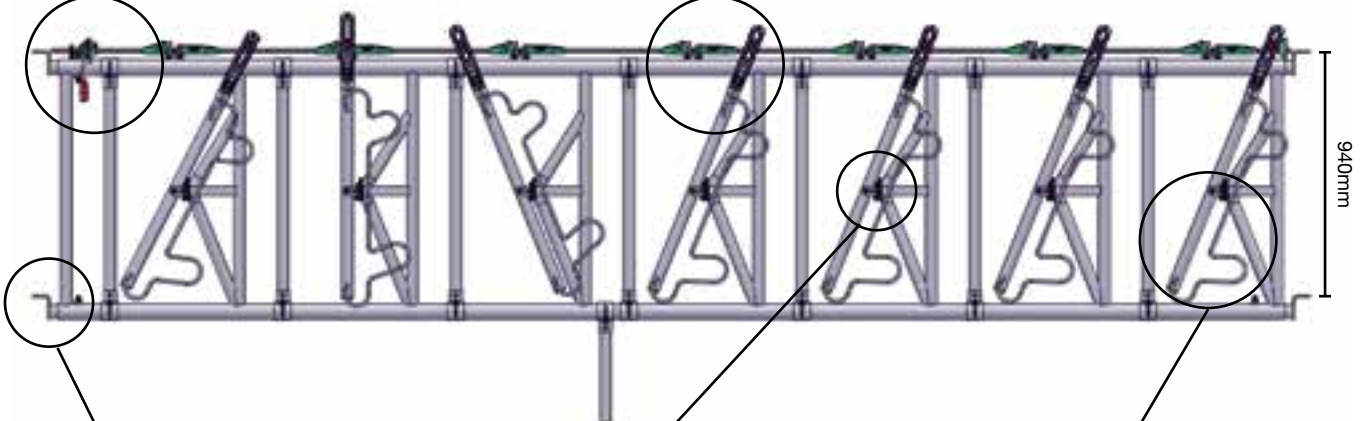
one support per place



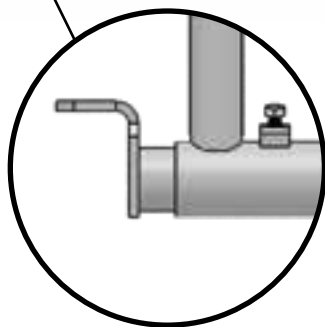
steel blushing  
in pendulum



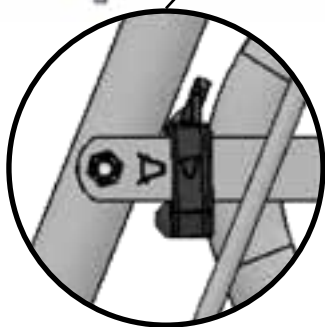
control pipe profile



940mm



adjustable, swiveling and  
raisable end-piece



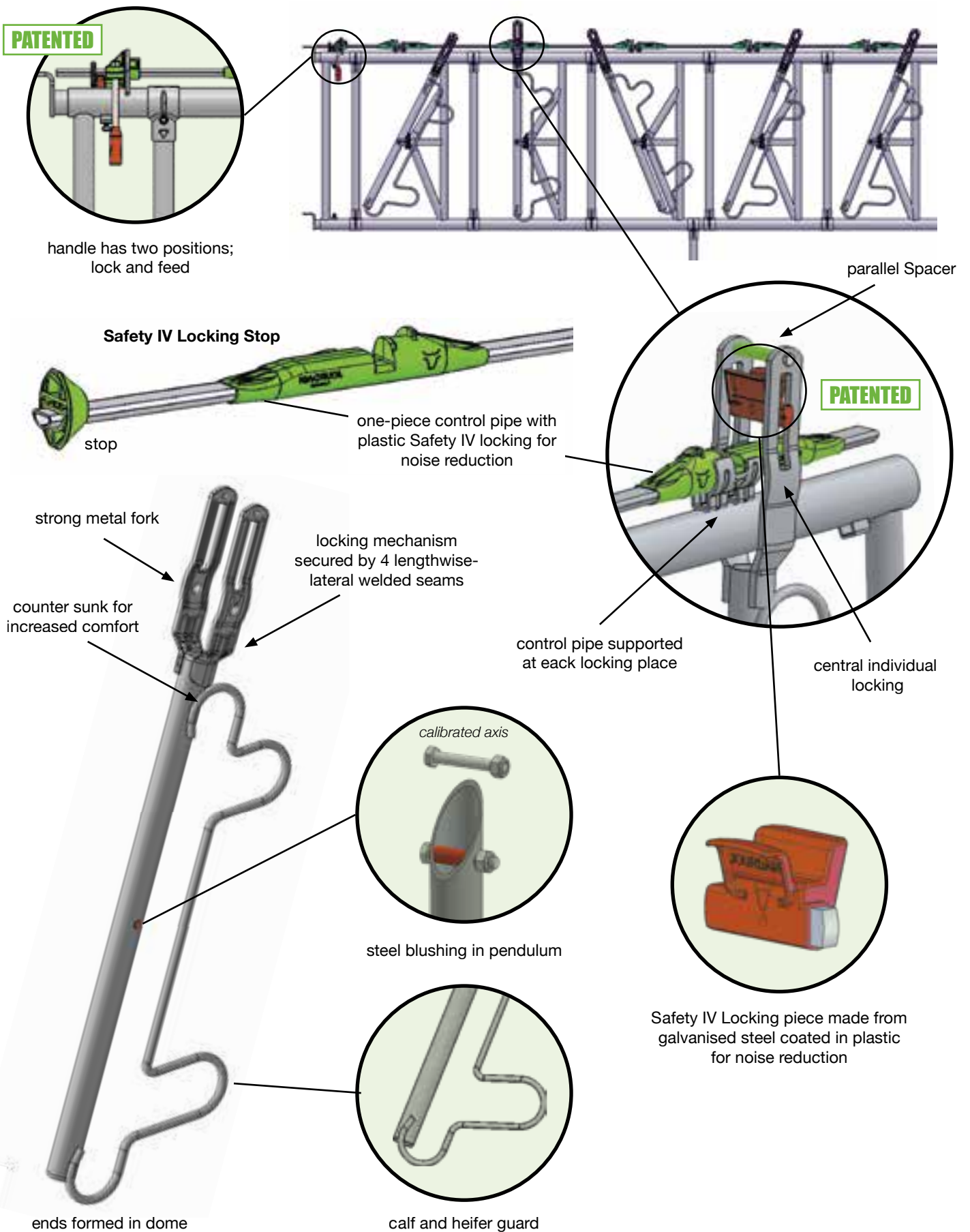
automatic release system  
and noise reduction



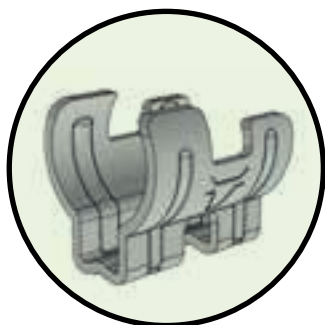
calf/heifer guards



# Safety IV Headlocks – Strengths



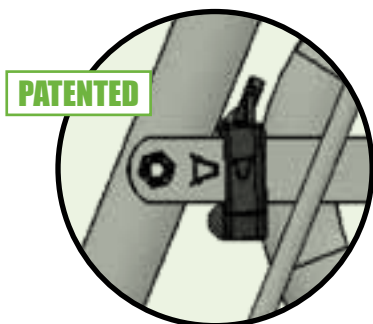
# Safety IV Headlocks – Strengths



steel control pipe support bracket at each locking point

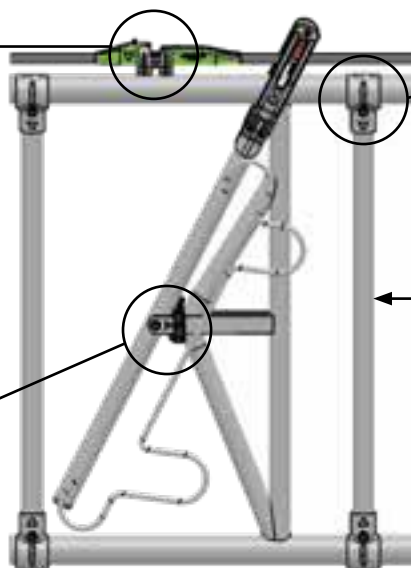


clawed clamp: all corners are rounded-off



**PATENTED**

**RAZ System**  
automatic release system to ensure the pendulum returns to open feed position

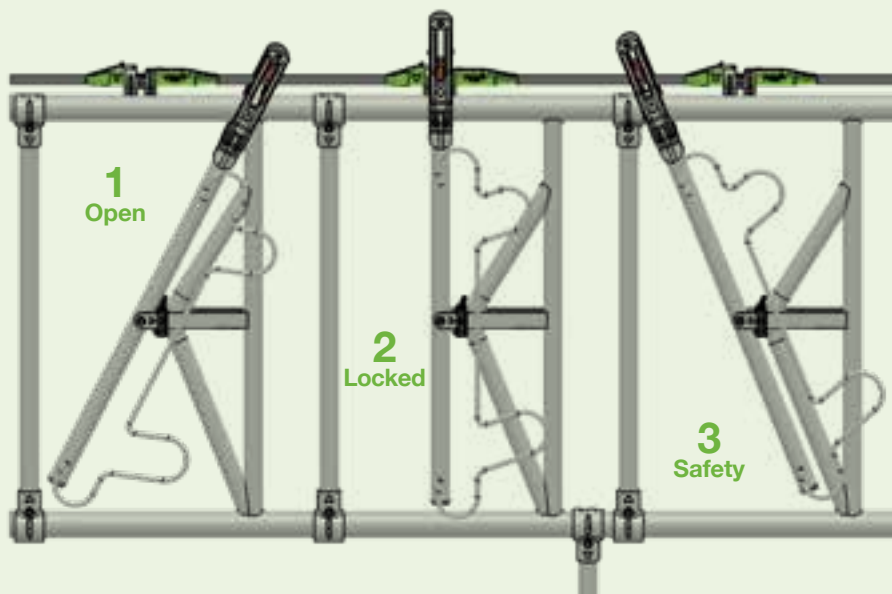


adjustable neck bar to suit animal size

## Headlock individual parts

SQ9930	Safety IV control pipe (3.4mtr)
SQ9931	Safety IV control pipe (4.4mtr)
SQ9933	Safety IV control pipe (5.0mtr)
SQ9934	Safety IV control pipe (5.4mtr)
SQ9935	Safety IV control pipe (6.0mtr)
SQ9940	Pendulum
SQ9943	Headlock joining piece
SQ9944	End of pipe stopper
SQ9945	Green locking stop
SQ9946	Handle adapter (safety 3)
SQ9902	Black Plastic Headlock Damper

## Symmetrical Opening = 3 Positions



centre support supplied with 5 & 6 meter panel



**Top and bottom opening are equal size**