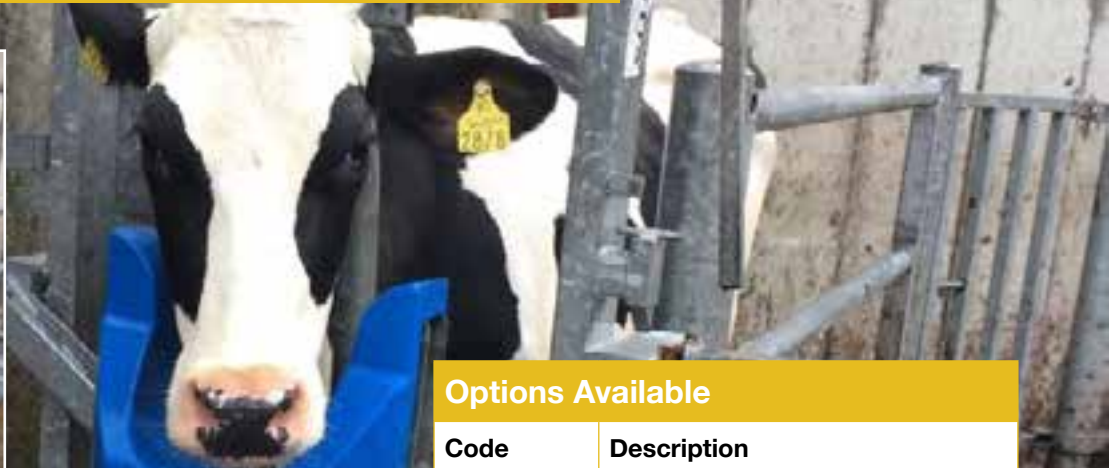


## 5.1.2 Morris Head Gate with One Piece Cage



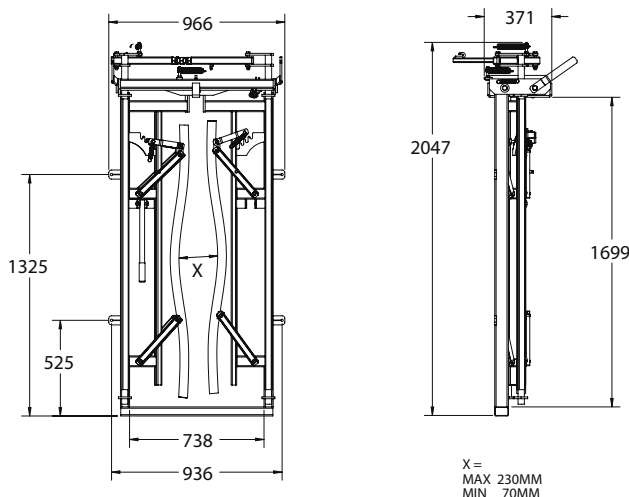
### Options Available

Code	Description
CR0040	Morris crush gate Left/Right
CR0041	Morris crush gate Right/Left
CR0042	Morris crush gate Left/Left
CR0043	Morris crush gate Right/Right
CR0044	Morris crush gate Right (Yoke only)
CR0045	Morris crush gate Left (Yoke only)
CR0046	Morris Front Cage - Left Hanging
CR0047	Morris Front Cage - Left Hanging

### Morris One Piece

- manually operated gate, with the ability to adjust yoke width to suit all types of live stock
- one piece wrap around cage
- manual screw adjustment of yolk width
- range of left/right hand lever/gate options available
- hot dip galvanised
- optional rear yoke leaver allowing operation of yoke from rear of the animal

## 5.1.3 Universal Crush Gate



### Universal Crush Gate - CR0010

- the superior automatic crush gate, suitable to any operation
- 2 stage release to avoid the animal backing down the crush run
- quick adjust neck bars, spring loaded for secure and fast adjustment
- lock open mechanism to aid in ease of emptying crush
- fully hot dip galvanise