

7.1.2 Calf Diagonal Barrier



JOURDAIN
WORLD LEADER IN CATTLE TUBULAR

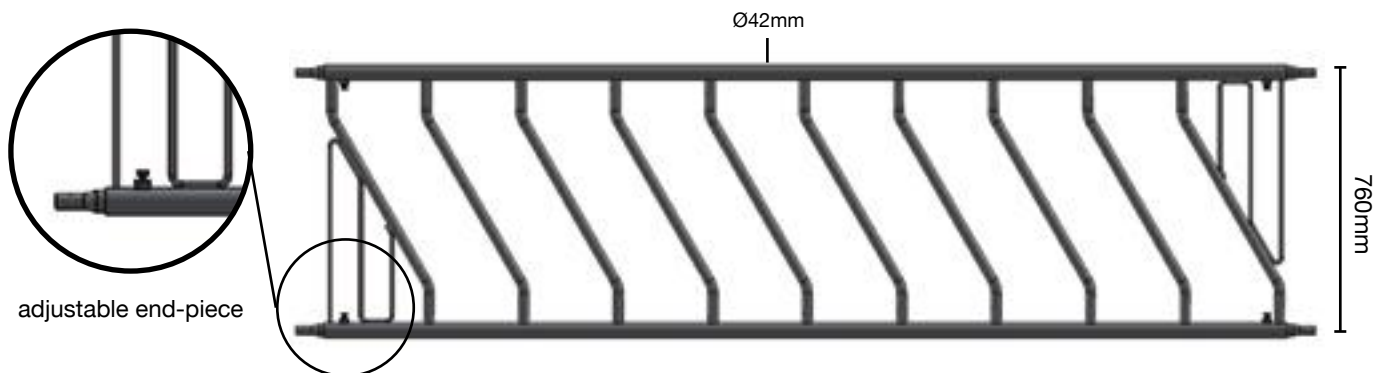


Calf Diagonal Barrier dimensions

Code	Size	Head Space
VE2601	2.1 metres	5 spaces
VE2602	2.55 metres	7 spaces
VE2603	3.0 metres	9 spaces
VE2604	4.0 metres	12 spaces
VE2605	5.0 metres	16 spaces

Calf Diagonal Barrier

- suitable for calves up to six months
- diagonal design prevent calves escaping
- tubular steel for calf comfort
- all small gaps closed for calf safety
- fully galvanised



7.1.3 2 Bar Feed Rail

2 Bar Feed Rail

- suitable for calves up to six months
- free access feed barrier
- each barrier has a 1 metre of width adjustment

Dimensions

Code	Size
LO3199	2-3 metres
LO3196	3-4 metres
LO3197	4-5 metres
LO3198	5-6 metres

